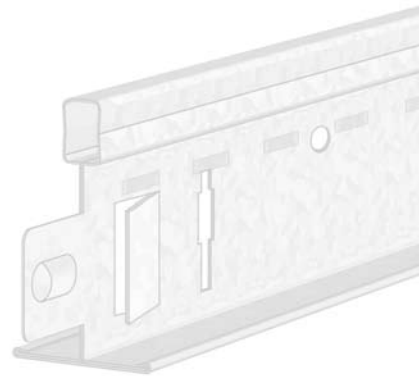


RONDO®

DUO®
Exposed Grid Ceiling System

DUO® installation guide



RONDO DUO®

Typical Application Details

1. Select your preferred grid layout to suit either 1200 x 600 or 600 x 600 ceiling panels as shown in Table I, selecting the relevant cross tee based on the weight of the ceiling tile.
2. Set the grid out from the middle of the room to maintain equal cut panels to opposite walls.
3. Mark the ceiling height on the walls and fix the perimeter trim with suitable fasteners at max. 600mm centres, ensuring the fixing is made into the studs. Mitre the corner intersections and use joiners to connect angles as per Figure 1.
4. Fix the Main Tee suspension brackets as per Figures 2 & 6. Ensure the suspension brackets are installed at no more than 1200mm centres and spaced 1200mm on either side. Ensure the hanger points are set out so that hangers adjacent to the perimeter walls are no more than 300mm from the wall unless otherwise specified.
5. Assemble the Main Tee suspension clip to the suspension rods that have been pre-cut to length to suit your suspension drop. Ensure the suspension is vertical.
6. Ensure the pre-punched slots on the Main Tee line up, and fit the Main Tee to the clips, as per Figure 4. The Main Tees should now be spaced 1200mm apart and suspended 1200mm between hangers. Stagger joints between adjacent Main Tees.
7. Ensure the integrated self locking joiners on Main Tees are properly locked together. Where Main Tees abut the wall trim, secure with the relevant stabiliser clip as per Figure 3.
8. Fix Cross Tees into position through the slots in the Main Tee with a gentle push. The opposing cross tees positively lock together as per Figure 5. The slots in the Main Tee are spaced 100mm apart to ensure the correct space is maintained between the Cross Tees (600mm apart for a 1200 x 600 panel). Cross Tees abutting the wall trim should be secured with the relevant clip, as per Figure 3, at not more than 1800mm centres unless otherwise specified.
9. Finally, align and level the grid by adjusting the suspension clips up or down using a string line or laser as a guide.

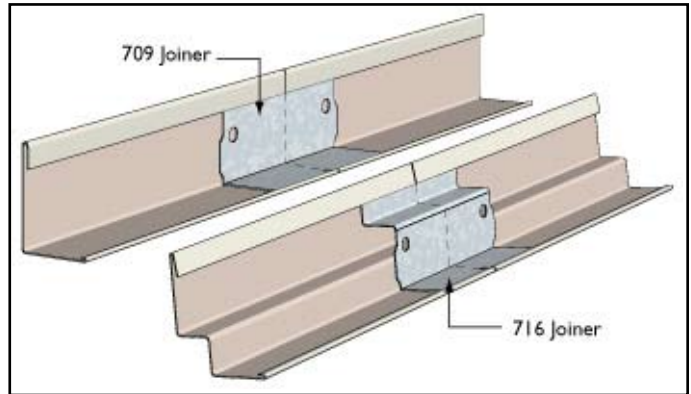


FIGURE 1: Wall Angle Joiners

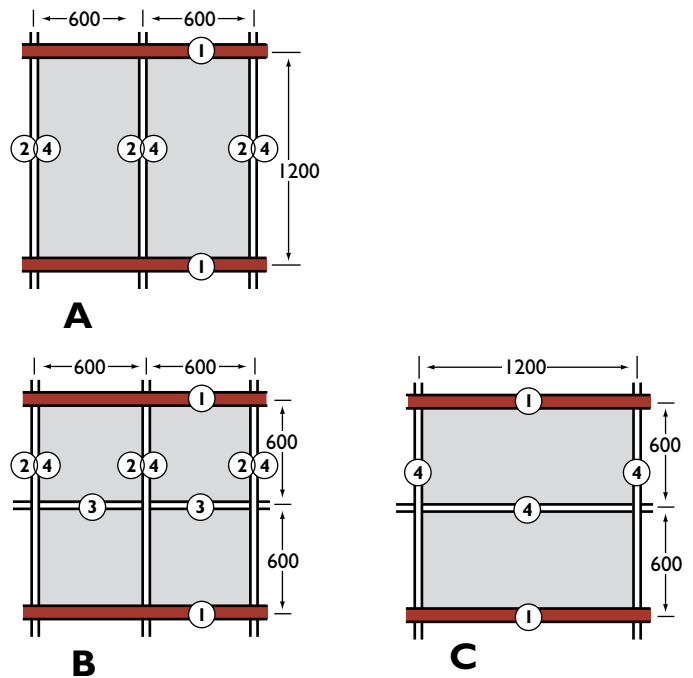


TABLE I: Tee Spacing/Max. Allowable Loads

SYSTEM		FACE SIZE mm	SPACING OF M/TS mm	SPACING OF X/TS mm	ALLOWABLE LOAD kg/m ² kg	MAX. WEIGHT OF LIGHT FITTINGS kg
A	DUO I-H	24	1200	600	16.2	10
	DUO I-2	24	1200	600	13.5	10
B	DUO I-H	24	1200	600	16.2	10
	DUO I-2	24	1200	600	12.0	10
C	DUO I-H	24	1200	600	10.8	6

MAIN TEE	REF	PART NO	LENGTH
	1	DUO I	3600

CROSS TEE	REF	PART NO	LENGTH
	2	DUO 2	1200
	3	DUO 2	600
	4	DUO H	1200

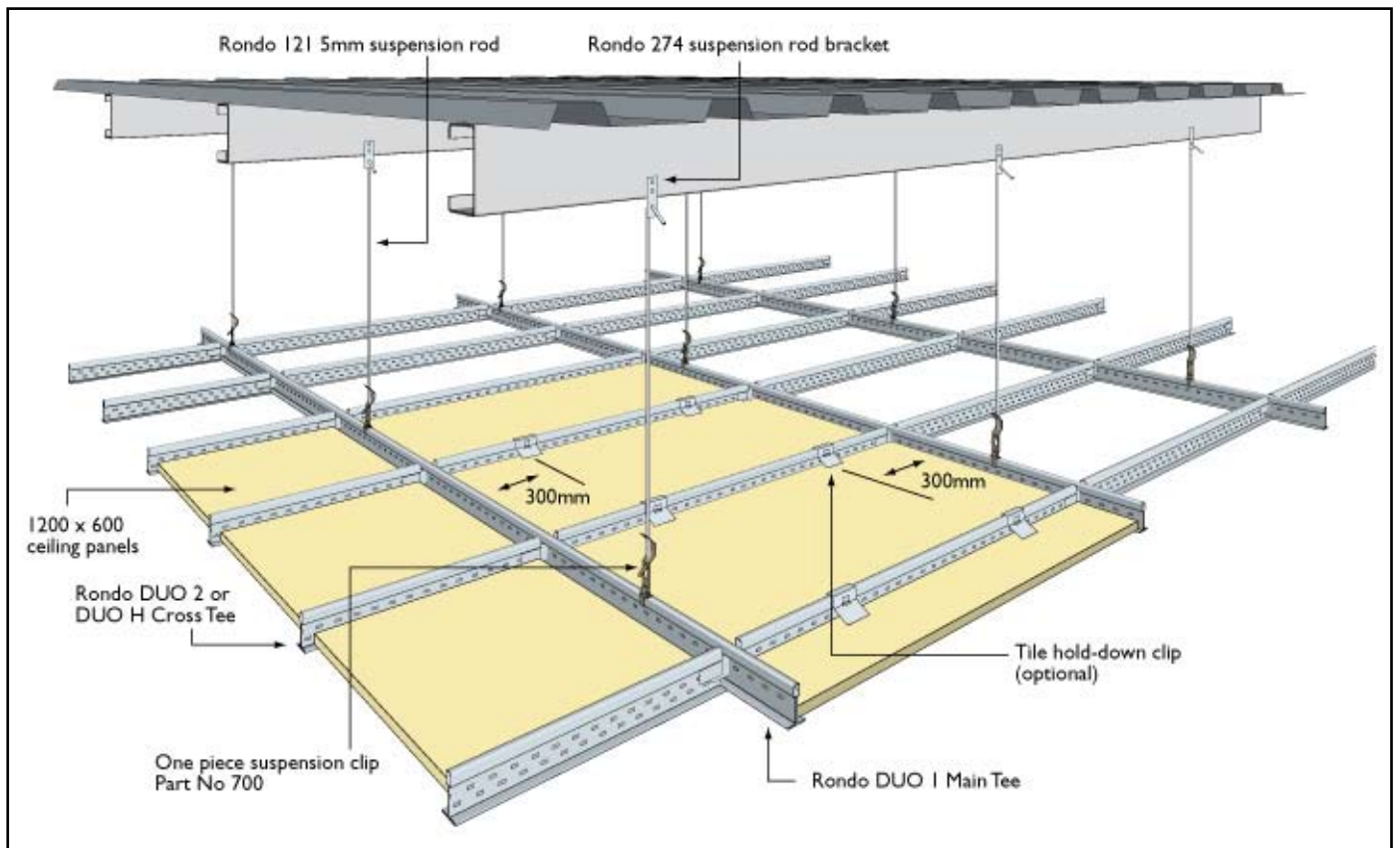


FIGURE 2: Two-way Exposed Ceiling System Detail

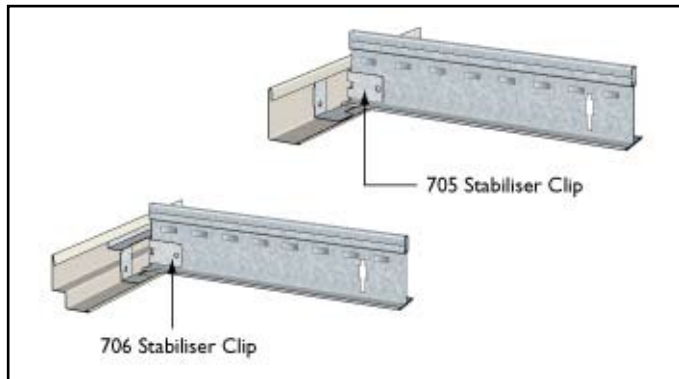


FIGURE 3: Stabiliser Clips

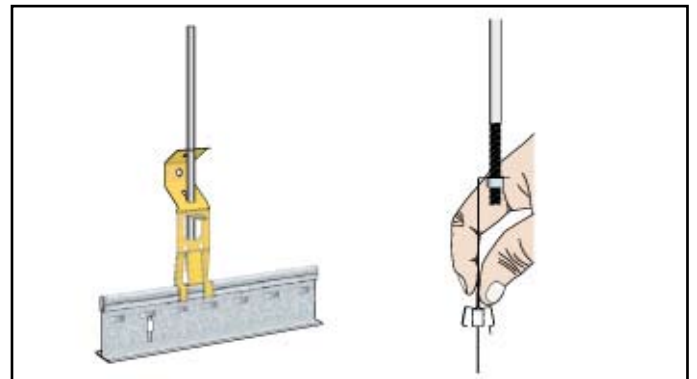


FIGURE 4: Installing the #700 Suspension Clip

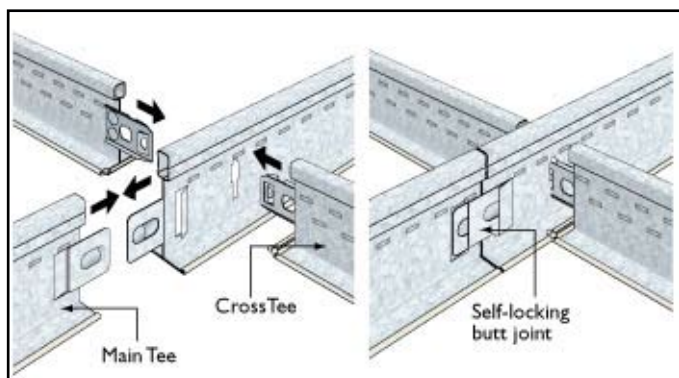


FIGURE 5: Main and Cross Tee Jointing Cross

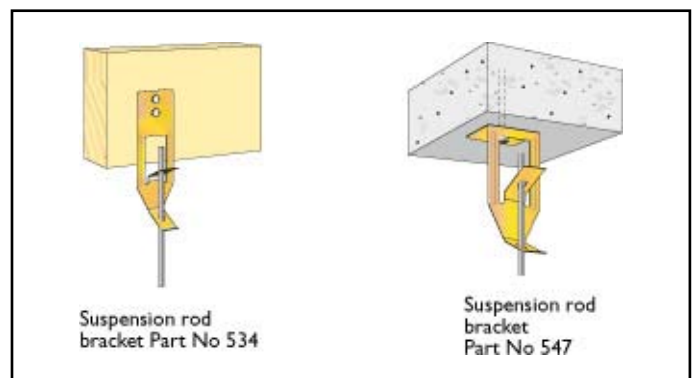


FIGURE 6: Alternative Suspension Brackets

The installation of troffer type light fittings can be accommodated by installing additional cross tees, but ensuring the weight of the light fitting is borne by the main tees only as Figure 7.

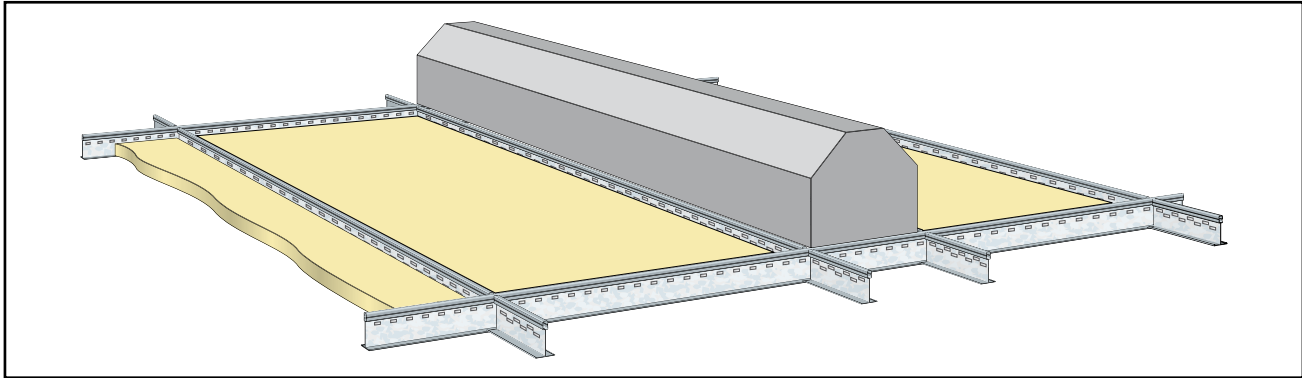


FIGURE 7: Light Fitting Detail

NOTE: To ensure the weight of the fitting does not compromise the integrity of the grid additional hangers should be installed adjacent to the fitting if none already exist. See Table 1 for maximum weight of light fittings.

BULKHEADS

Changes in ceiling levels can be accommodated by the introduction of vertical bulkheads which can be constructed using plasterboard or ceiling panels as shown in Figures 8 & 9. More detailed information on bulkhead construction, or other DUO® applications such as One Way Exposed ceilings, sloping DUO® ceilings, linear diffusers, and securing partition head tracks to grid, is available from the full DUO® Installation manual or the Rondo website.

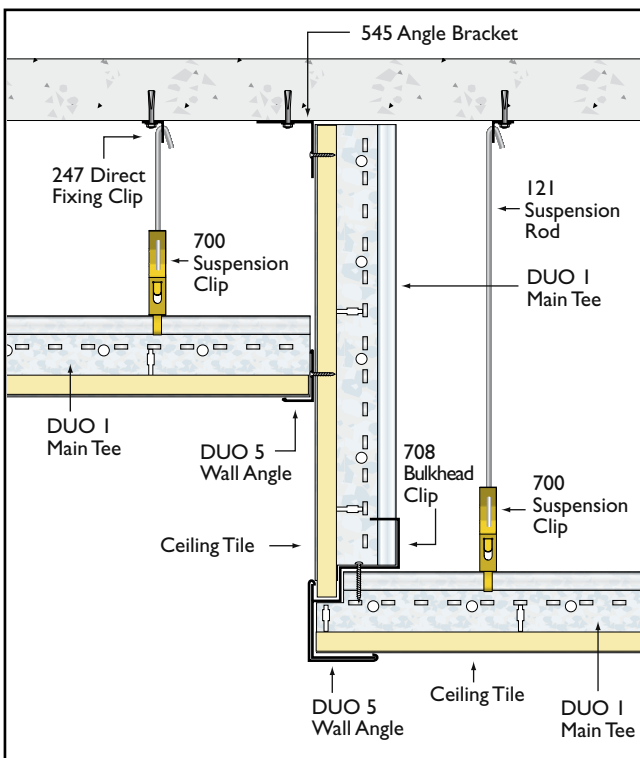


FIGURE 8: Squareline Bulkhead Detail (Vertical Exposed Grid)

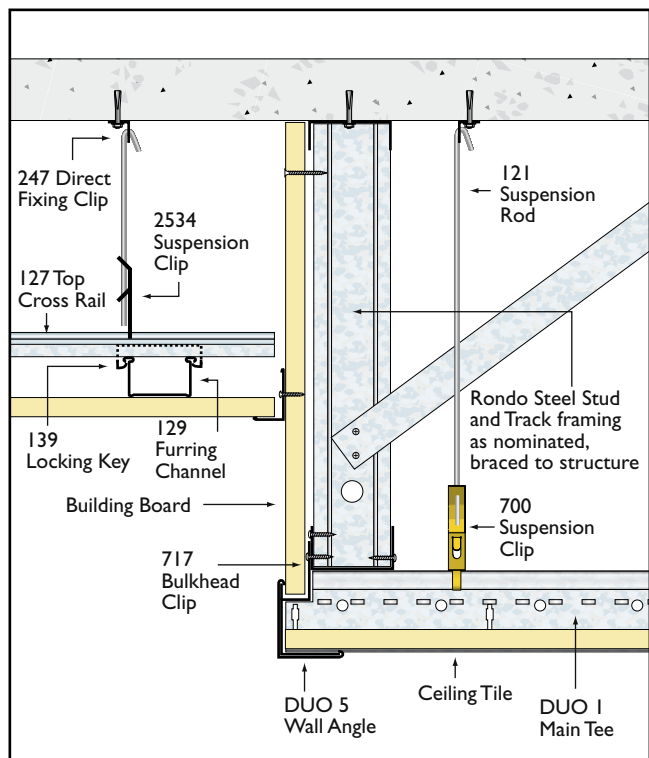


FIGURE 9: Squareline Bulkhead Detail (Vertical KEY-LOCK®/Steel Stud System)

NOTE: For all further information, speak to a Rondo Technical Sales Representative or for full installation details and warranty conditions, please visit our website at www.rondo.com.au, collect a Technical CD from the in-store brochure stand or speak to your local Authorised Rondo Distributor.

RONDO DUO® Exposed Grid Ceiling System

GENERAL INFORMATION

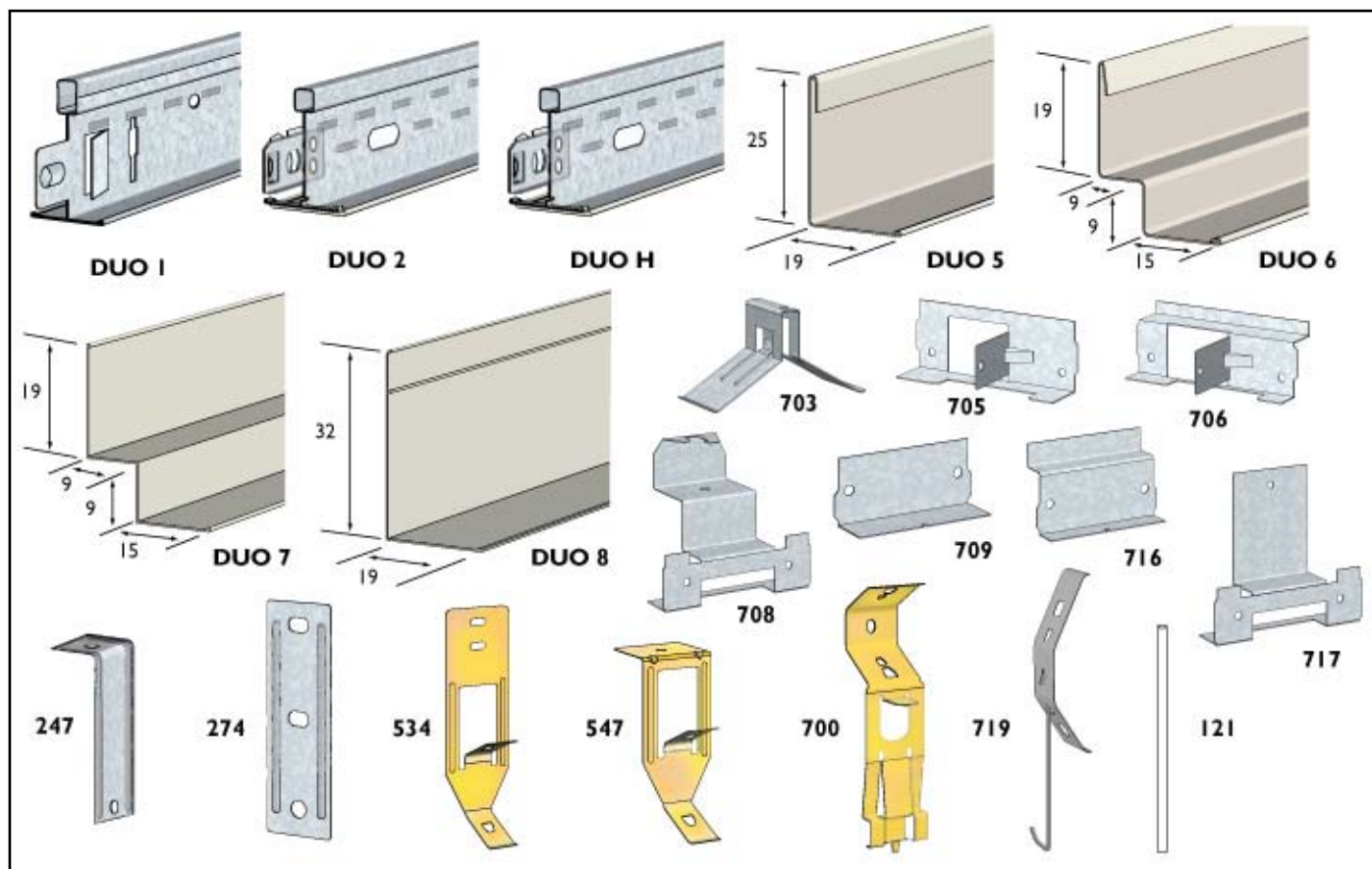
This brochure provides details of the Rondo DUO® Exposed Grid Ceiling System, which allows for integration with other Rondo suspended ceiling systems in the same plane. Below are just some of the features and benefits of choosing to use the Rondo DUO® grid system, and some of the products available to help meet your construction needs.

Note that this brochure is intended to be used as a guide only; full details should be obtained via the Rondo website or a Rondo technical CD. Rondo recommends installation by a qualified tradesperson.

FEATURES & BENEFITS

FEATURE	BENEFIT
Engineer-designed locking tabs on each cross tee	Cross tees can be easily removed from an installed ceiling without damage and then reinstalled at another location. This is convenient when relocating light or air conditioning features. Locking tabs on each cross tee are manufactured from a high tensile steel to provide a strong and positive connection. The cross tee locking tab has been engineered to ensure that it will stay in place in the main tee whilst the opposite cross tee is being installed.
Strong and exclusively designed “zipper” packaging for all standard main and cross tees	Enables ease of opening and reduces the potential for damage. Packaging has also been designed to ensure that it will not break open while it is being transported and allows the carton to maintain its integrity for carrying once opened.
Range of snap-on and hooked suspension clips as well as 50mm spaced holes for the tire wire on the main tee	The Rondo DUO® main tee can be suspended anywhere along its length with a choice of suspension clips or tie wire.
All components are produced with protective coatings	Rondo is able to offer a performance guarantee for a minimum of 15 years for most environments.
Code Compliance	All components of the Rondo DUO® Exposed Grid Ceiling System have been designed and tested by Rondo engineers to meet the requirements of suspended ceiling and seismic design codes in both Australia and New Zealand.
Technical Expertise	For detailed technical information, obtain a technical resource CD from your local Authorised Rondo Distributor; visit www.rondo.com.au to download our full Rondo DUO® installation manual or use the Rondo ceiling design wizards. For all other advice, contact your local Rondo Technical Sales Representative.

VARIOUS RONDO DUO® COMPONENTS



Rondo OFFICES

AUSTRALIA

RONDO BUILDING SERVICES PTY LTD

CUSTOMER SERVICE HOTLINE:
1300-36-RONDO (1300-36-7663)

NEW SOUTH WALES

3-33 Glossop Street St Marys NSW 2760
(PO Box 324 St Marys NSW 1790)
Phone: 61-2-9912 7300 Fax: 61-2-9912 7310

VICTORIA

12-14 Dunlop Road Mulgrave VIC 3170
Phone: 61-3-8561 2222 Fax: 61-3-8561 2266

QUEENSLAND

Lot 512 Binary Street Yatala QLD 4207
Phone: 61-7-3287 4944 Fax: 61-7-3287 1881

SOUTH AUSTRALIA

39 George Street Greenfields SA 5107
Phone: 61-8-8283 4065 Fax: 61-8-8283 4320

WESTERN AUSTRALIA

5 Hazelhurst Street Kewdale WA 6105
Phone: 61-8-9353 2944 Fax: 61-8-9353 2955

HEAD OFFICE

PO Box 324 St Marys NSW 1790
Phone: 61-2-9912 7303 Fax: 61-2-9912 7313

EXPORT

Phone: 61-438-427-479 Fax: 61-7-3287-1881

NEW ZEALAND

RONDO BUILDING SERVICES PTY LTD

117A Captain Springs Road Onehunga Auckland
Phone: 64-9-636 5110 Fax: 64-9-636 5111
FREE CALL: 0800-0800-RONDO (0800-0800-76)

MALAYSIA

RONDO METAL PRODUCTS SDN BHD

Lot 606, off Jalan SS 13/1K
Subang Jaya Selangor
Phone: 60-3-5629 2000 Fax: 60-3-5629 2117

INDIA

RONDO METAL SYSTEMS PVT LTD

Level 1, Imperial Heights
Plot No.104, Sher-E-Punjab Society
Andheri-East Mumbai 40093
Phone: 91-988-701-7526

RONDO®

1300-36-RONDO (1300-36-7663) FOR CALLS WITHIN AUSTRALIA
www.rondo.com.au

0800-0800-RONDO (0800-0800-76) FOR CALLS WITHIN NEW ZEALAND
www.rondo.co.nz

