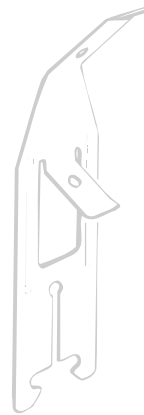


**RONDO®**

**KEY-LOCK®**

**Concealed Suspended Ceiling Systems**

KEY-LOCK® installation guide



# RONDO KEY-LOCK® Installation

## 1. SPACINGS

Table 1 has been prepared for a batten spacing of 600mm. Confirm with your lining distributor that this spacing is suitable for your lining board selection.

## 2. SELECTION

Choose the most appropriate Batten or Furring Channel to suit your lining board.

## 3. DIRECT FIX AND INSTALL

Refer to Figures 1– 4 for the direct fix clip relevant for your batten/furring channel choice.

## 4. SUSPENDED CEILINGS

If your ceiling needs to be suspended by more than 150mm, refer to the next page.

*NOTE: For help with quantity take-offs, use the Rondo online ceiling wizards, or ask for our Rondo Ceiling Slide-Rule Calculator at any Authorised Rondo Distributor.*

600mm SPACING		
BATTEN/ FURRING CHANNEL	PLASTERBOARD LINING	
	1 x 10mm	1 x 13mm
301	1200	1200
129	1580	1540
308	1290	1250

## DIRECT FIX INSTALLATION

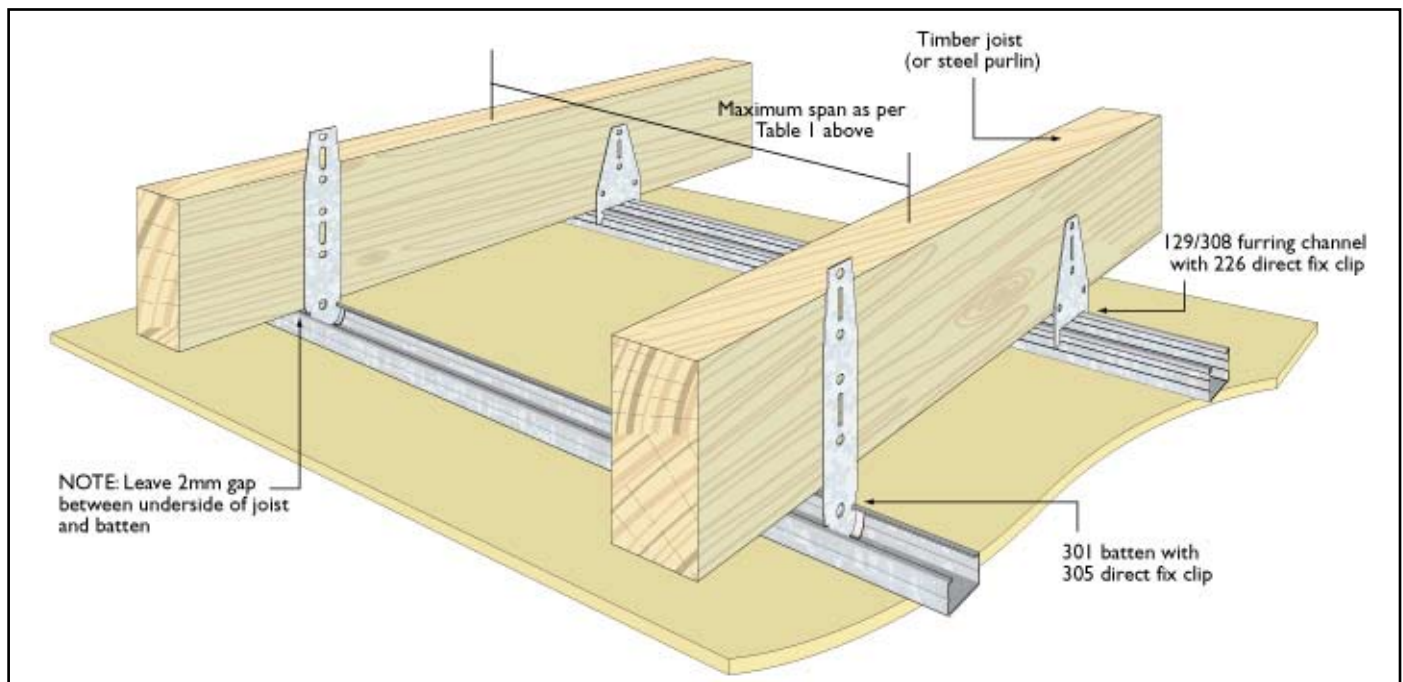


FIGURE 1: Direct fix applications using standard Rondo components

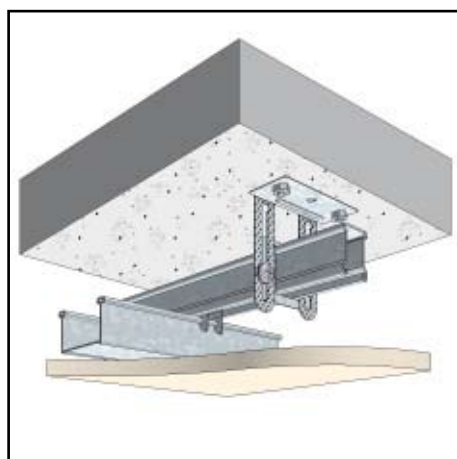


FIGURE 2: Direct fix application beneath concrete slab using INFINITI™ clip

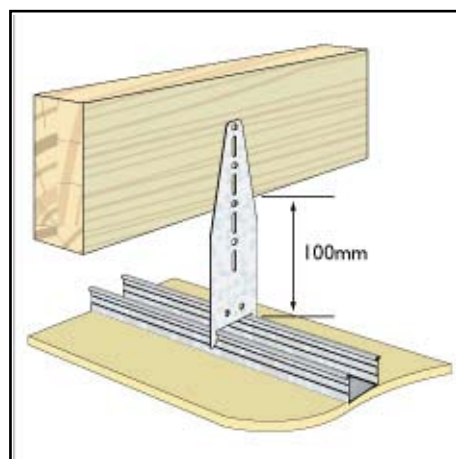


FIGURE 3: Suspended application using 129/308 furring channel with 394 direct fix clip

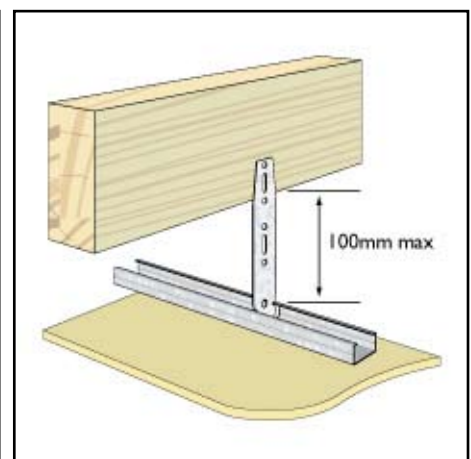


FIGURE 4: Direct fix clip 305 in suspended application to a recommended maximum of 100mm for 301 batten

## SUSPENDED CEILING INSTALLATION

For ceilings with more than 150mm suspension depth, a fully suspended system should be installed.

1. Fix part number 140 wall track (or 142 wall track if using the 308) around the perimeter of the ceiling
2. Secure hanger clips at a 1200mm x 1200mm grid pattern ensuring the first TCR is located within 200mm of abutting walls. If using multiple layers of plasterboard consult the full KEY-LOCK® manual.
3. Cut 121 suspension rod to required length and slide into hanger clip tabs. Refer Figure 6.
4. Slide 2534 clip onto the other end of the rod.
5. Secure 127 Top Cross Rail to the 2534 clips with a twisting action. Fit 139 joiner clips to Furring Channel and then click into Top Cross Rail firmly. Ensure 139 clip engages in both sides: "click-clack".
6. Secure Furring Channel to Top Cross Rail at a of max of 600mm apart or at appropriate spacings for your lining choice.
7. Framing can be leveled by adjusting the 2534 clip by squeezing tabs together.
8. See illustrations below for fixing and bracing details.

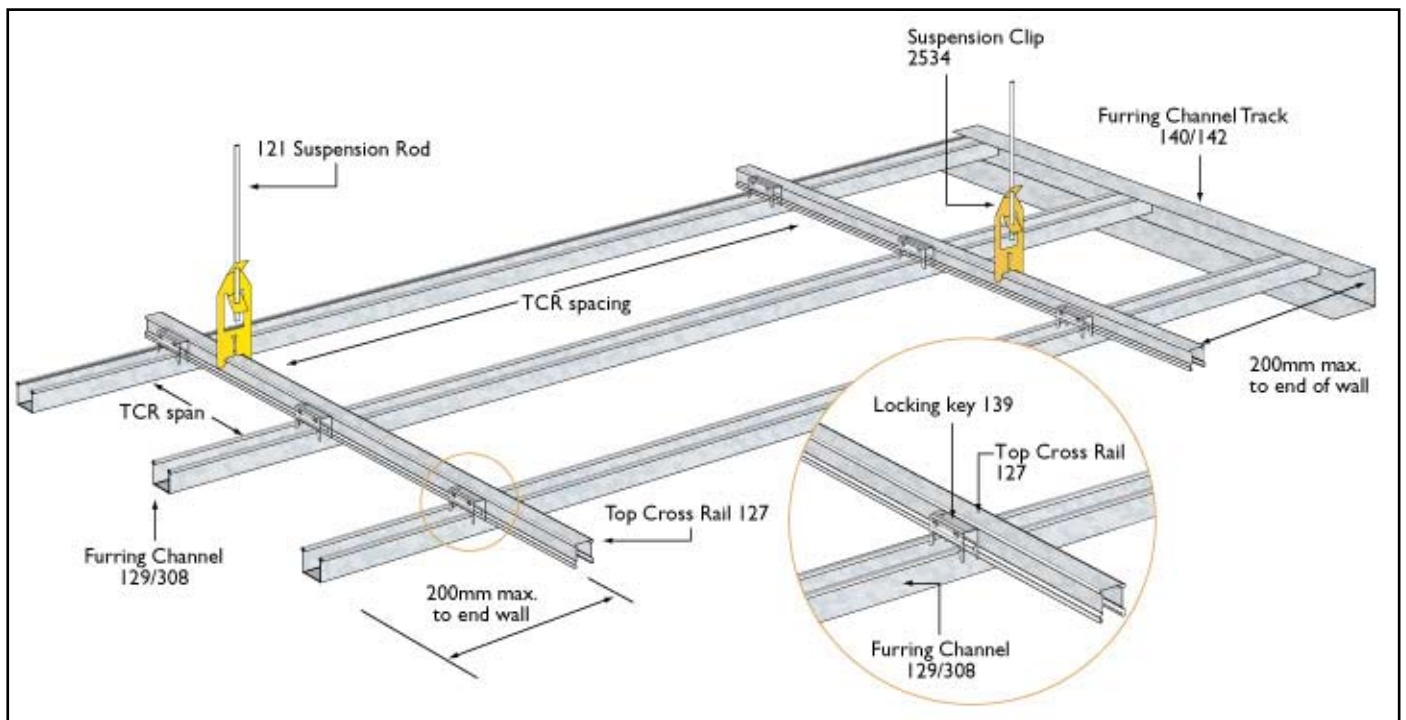


FIGURE 5: KEY-LOCK® suspended ceiling

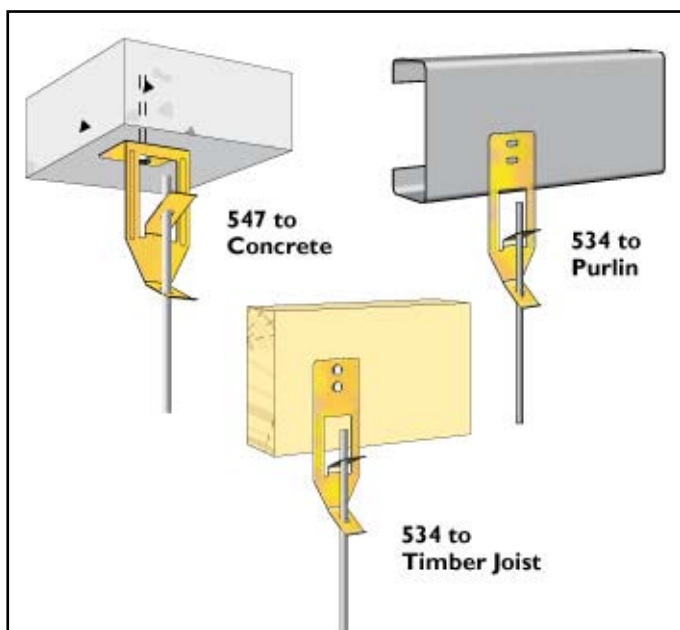


FIGURE 6: Hanger clips

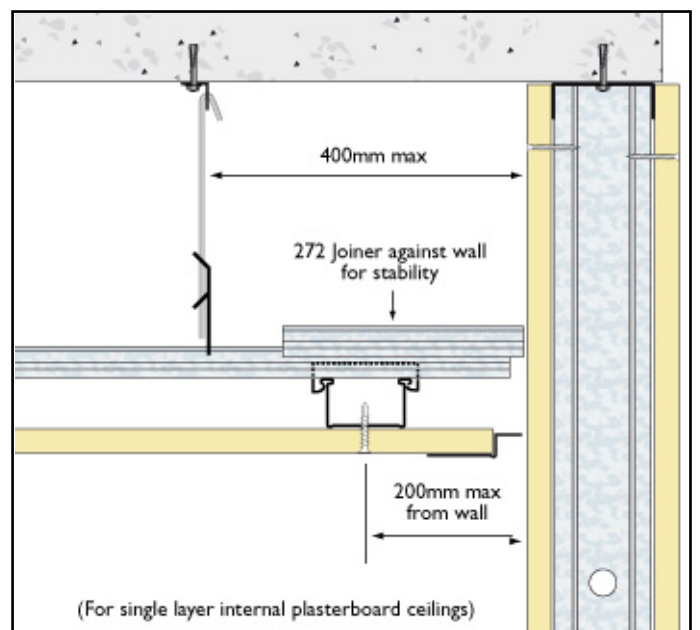


FIGURE 7: Stabilising the system

## MASONRY WALL INSTALLATION

### 1. INSTALL CLIPS

Fix either the adjustable INFINITI™ clip or the 237 clip to the masonry wall as per Figure 8 using either a 'knock-in anchor' or plug and screw (*for a masonry wall*), or screws (*for a timber wall*).

### 2. ATTACH FURRING CHANNEL

Clip 129/308 furring channel into these clips using a rolling action. It is important to check your framing is plumb and straight. To adjust alignment, simply slide and fix the INFINITI™ clip, or use packers in the case of the 237 clip.

### 3. FIX PLASTERBOARD

Screw fix plasterboard as per lining manufacturers recommendations.

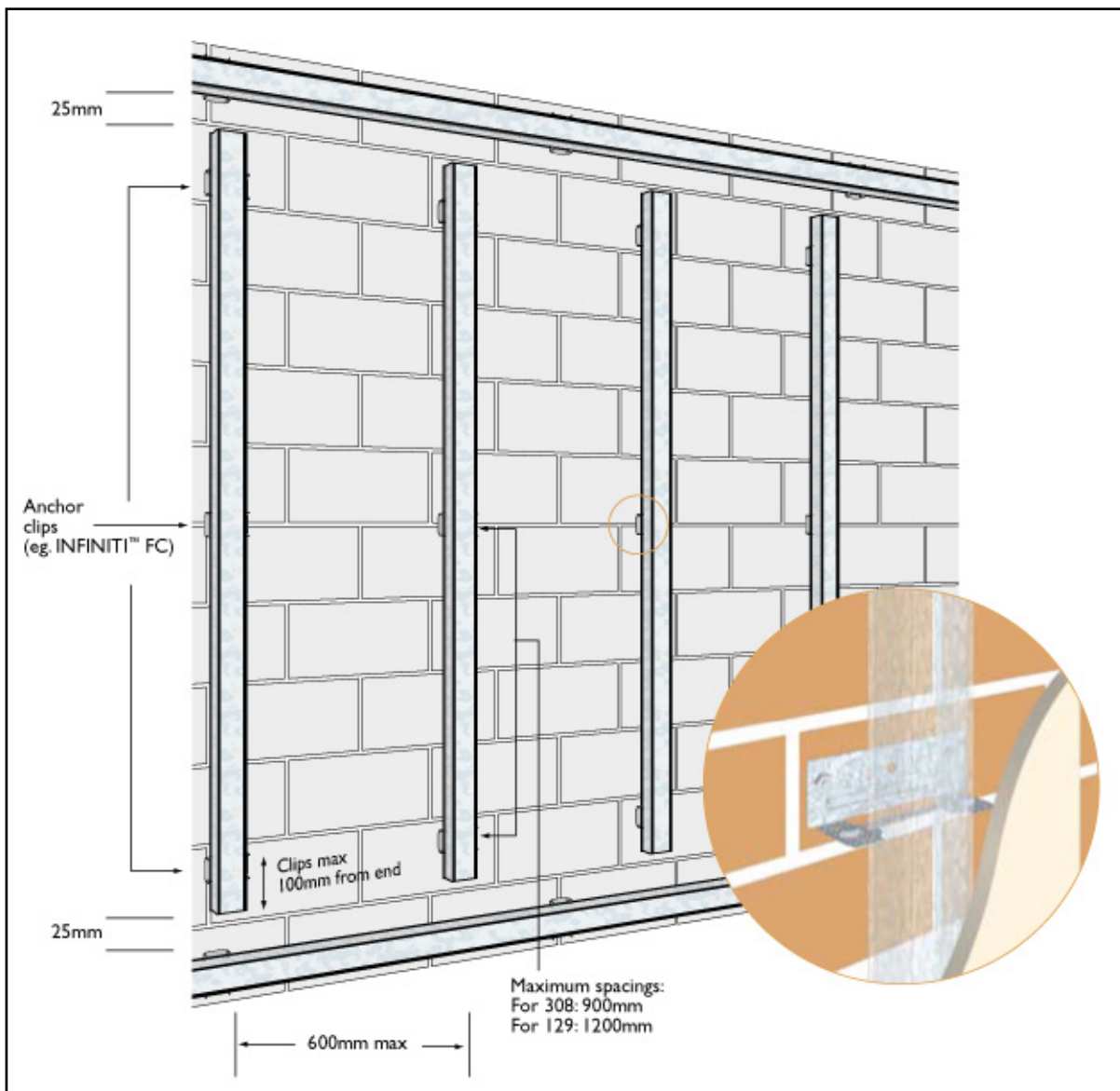


FIGURE 8: KEY-LOCK® used to batten-out masonry wall

**NOTE:** This brochure should be used as a guide only. Rondo recommends that this system be installed under the advice and guidance of experienced wall and ceiling professionals.

For all details other than those supplied in this KEY-LOCK® guide, go to [www.rondo.com.au](http://www.rondo.com.au) and download our full KEY-LOCK® manual or installation video, obtain a technical resource CD from your Authorised Rondo Distributor, or contact your local Rondo sales office. Please consult your board manufacturer for board fixing details.

# RONDO KEY-LOCK® Concealed Suspended Ceiling Systems

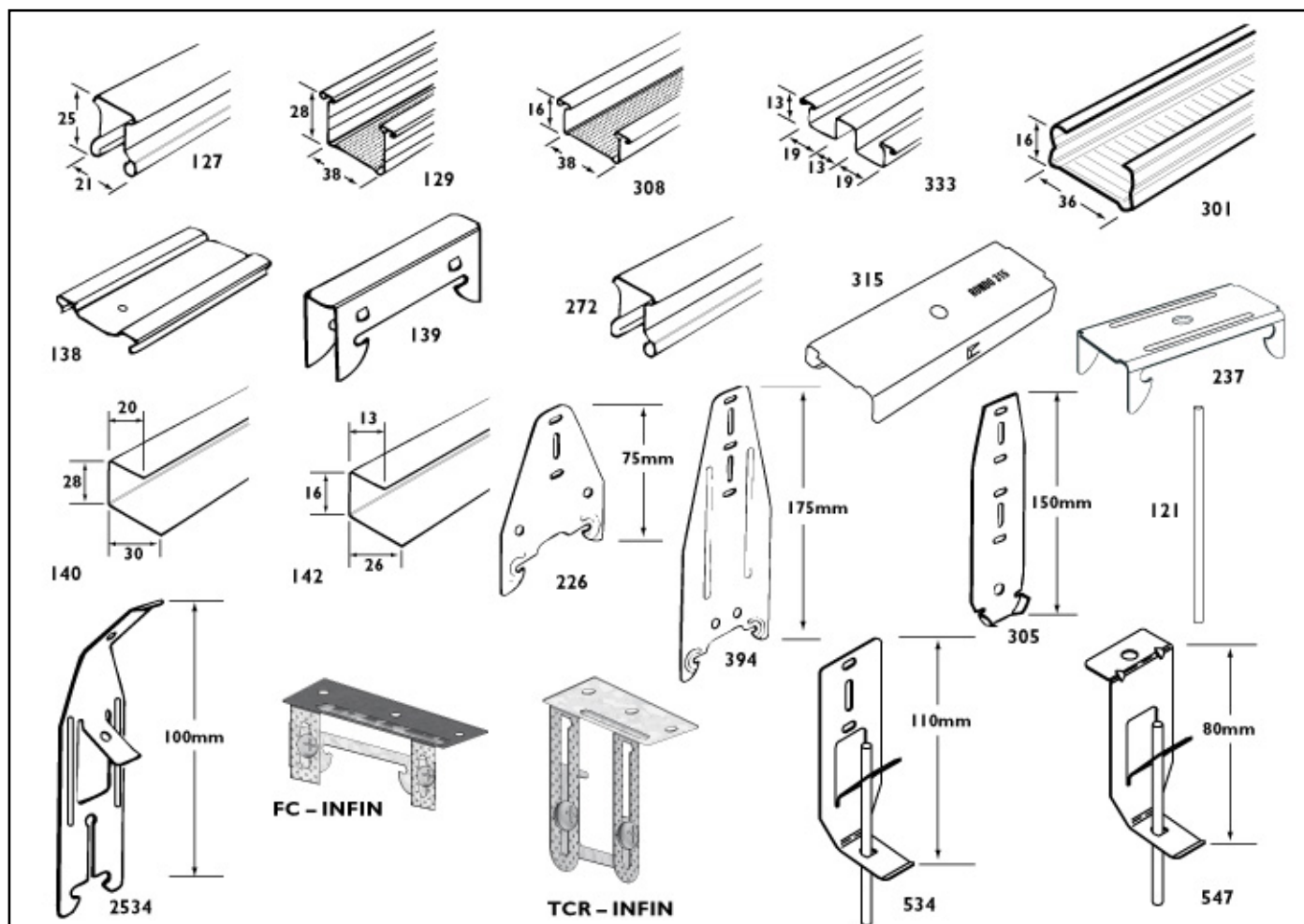
## GENERAL INFORMATION

The Rondo KEY-LOCK® concealed suspended ceiling system is a versatile ceiling suspension system which provides various options to achieve a flush building board ceiling. KEY-LOCK® is a high quality, simple to use, time-tested system which complies with all relevant Australian and New Zealand building codes.

## FEATURES & BENEFITS

FEATURE	BENEFIT
<i>Versatile and easy to use</i>	Specially designed locking and suspension clips simplify the assembly of components. The range of available products allows for variable spanning and spacing options. This gives the contractor the freedom to put together the most cost effective package for each individual project.
<i>Safe handling</i>	Rolled Edges on the primary rail and furring channel sections make them safer to handle.
<i>Quality Guarantee</i>	The Rondo KEY-LOCK® system is quality assured and designed to meet all Australian standards. As such, the system is 100% backed by the Rondo Guarantee. NOTE: Mixing different manufacturers' products within the system is not recommended or guaranteed.
<i>Time-saving features</i>	KEY-LOCK® components are designed to snap onto sections easily, without mechanical tools being required. Mid-span joiners eliminate the need for waste, and speeds up installation time.
<i>Australian Standards</i>	Suspension clip load tests exceed the requirements of AS/NZS 2785 Section 3. The Rondo KEY-LOCK® system can be used in both fire rated and non-fire rated situations, and has been designed to meet both Australian and New Zealand Standards. Refer to Plasterboard Manufacturer for fine noted applications.
<i>Technical expertise</i>	For detailed technical information, visit <a href="http://www.rondo.com.au">www.rondo.com.au</a> to download the full KEY-LOCK® technical manual, use the online ceiling design wizard, view the KEY-LOCK® installation video, or obtain a technical resource CD from your Authorised Rondo Distributor. For all other technical advice, such as seismic design, contact your local Rondo Technical Sales Representative.

## VARIOUS RONDO KEY-LOCK® COMPONENTS



## Rondo OFFICES

### AUSTRALIA

#### **RONDO BUILDING SERVICES PTY LTD**

CUSTOMER SERVICE HOTLINE:  
1300-36-RONDO (1300-36-7663)

#### **NEW SOUTH WALES**

3-33 Glossop Street St Marys NSW 2760  
(PO Box 324 St Marys NSW 1790)  
Phone: 61-2-9912 7300 Fax: 61-2-9912 7310

#### **VICTORIA**

12-14 Dunlop Road Mulgrave VIC 3170  
Phone: 61-3-8561 2222 Fax: 61-3-8561 2266

#### **QUEENSLAND**

Lot 512 Binary Street Yatala QLD 4207  
Phone: 61-7-3287 4944 Fax: 61-7-3287 1881

#### **SOUTH AUSTRALIA**

39 George Street Greenfields SA 5107  
Phone: 61-8-8283 4065 Fax: 61-8-8283 4320

#### **WESTERN AUSTRALIA**

5 Hazelhurst Street Kewdale WA 6105  
Phone: 61-8-9353 2944 Fax: 61-8-9353 2955

#### **HEAD OFFICE**

PO Box 324 St Marys NSW 1790  
Phone: 61-2-9912 7303 Fax: 61-2-9912 7313

#### **EXPORT**

Phone: 61-438-427-479 Fax: 61-7-3287-1881

### NEW ZEALAND

#### **RONDO BUILDING SERVICES PTY LTD**

117A Captain Springs Road Onehunga Auckland  
Phone: 64-9-636 5110 Fax: 64-9-636 5111  
FREE CALL: 0800-0800-RONDO (0800-0800-76)

### MALAYSIA

#### **RONDO METAL PRODUCTS SDN BHD**

Lot 606, off Jalan SS 13/1K  
Subang Jaya Selangor  
Phone: 60-3-5629 2000 Fax: 60-3-5629 2117

### INDIA

#### **RONDO METAL SYSTEMS PVT LTD**

Level 1, Imperial Heights  
Plot No.104, Sher-E-Punjab Society  
Andheri-East Mumbai 40093  
Phone: 91-988-701-7526

# RONDO®

**1300-36-RONDO (1300-36-7663)** FOR CALLS WITHIN AUSTRALIA  
[www.rondo.com.au](http://www.rondo.com.au)

**0800-0800-RONDO (0800-0800-76)** FOR CALLS WITHIN NEW ZEALAND  
[www.rondo.co.nz](http://www.rondo.co.nz)

