



**RONDO<sup>®</sup>**

**TECH BRIEF 94**



## **RONDO INSPIRE DOOR JAMBS**

Introducing the new INSPIRE<sup>®</sup> Door Jamb range - designed to elevate interiors with modern, flush finishes designed for both residential and commercial projects.

The door jambs, designed for non-fire rated internal doors, are expertly engineered for strength, ease of installation and versatile styling to achieve seamless results across a variety of designs.

RONDO

**Sleek Architectural Finish:** Flush design integrates seamlessly with wall linings for a clean, contemporary look.

**Expertly Engineered:** Developed by Rondo's specialist team to deliver a high-performance, compliant wall and ceiling solution.

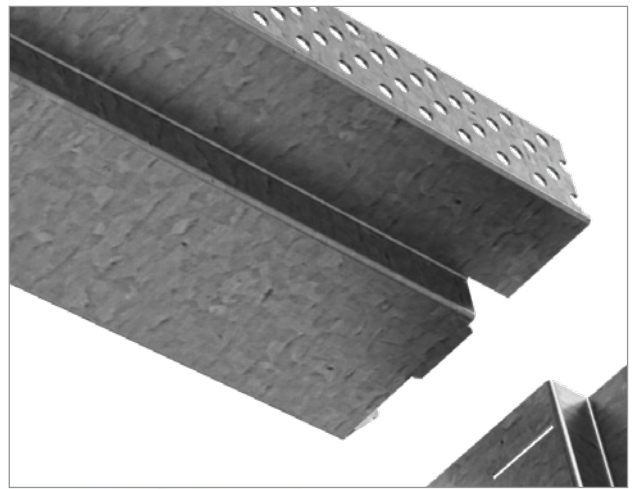
**Quick & Simple Install:** In-built tab design allows fast header-to-jamb connection with fewer parts.

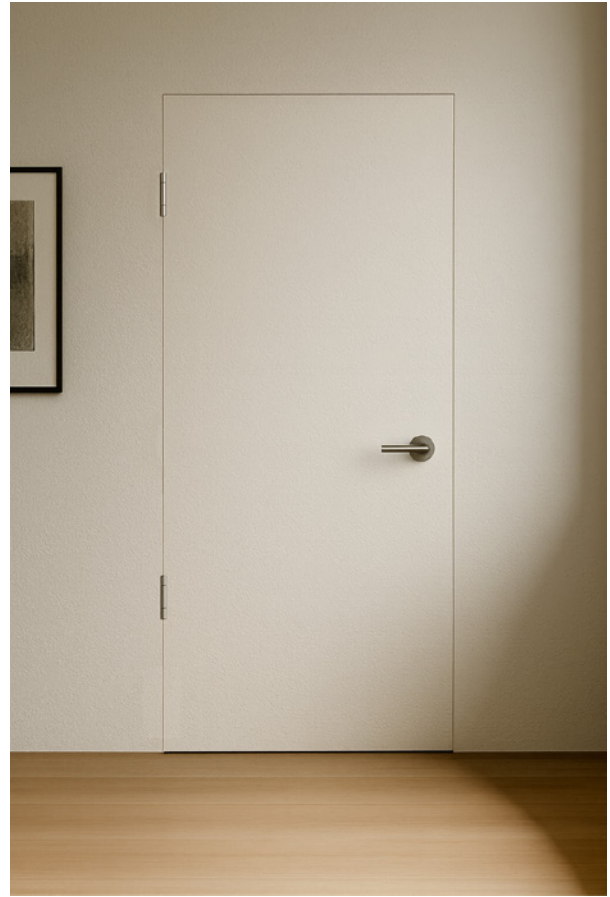
**Paint-Ready Surface:** Prepped for painting to AS/NZS 2311:2009 finishing surface standards - no extra prep required.

**Standard Sizes Available:** Single rebate jambs in stock - ready to ship and no delays.

**Built to Last:** Crafted from 0.90 BMT ZINCANNEAL® Steel for strength and durability in high-traffic areas.

**Australian Made:** Manufactured locally with premium BlueScope Steel.





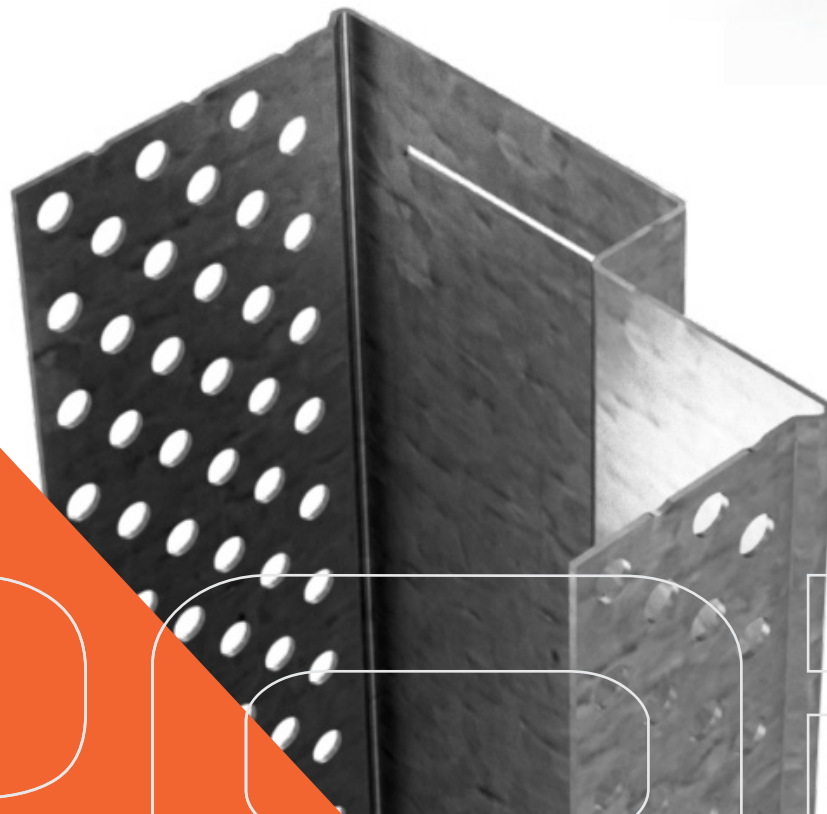
## FRAMELESS FLUSH FINISH

Create a seamless, architrave-free look where doors sit flush with the wall, or recessed into the framework creating a clean modern aesthetic.



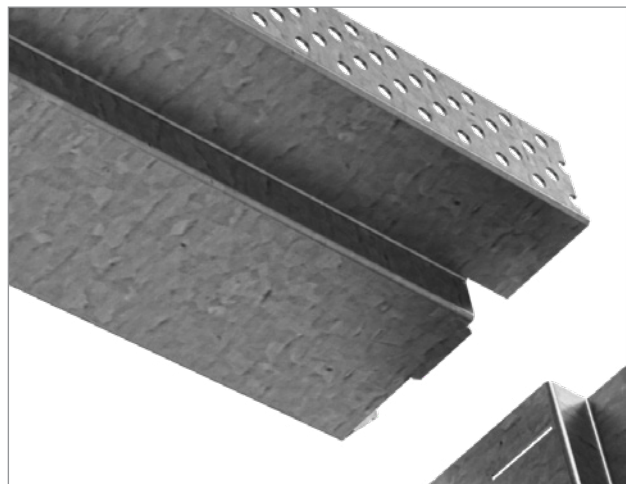
## DOOR JAMBS - SINGLE REBATE

Part No.	Length (mm)	Description	Number of Products	Set Weight (kg)
JR1S	2073	91mm (w) x 2040 mm (h) Door Jamb Pair Right Side	1 Pair	5.85
JL1S	2073	91mm (w) x 2040 mm (h) Door Jamb set Left Side	1 Pair	5.85
JR1S	2373	91mm (w) x 2340 mm (h) Door Jamb set Right Side	1 Pair	6.69
JL1S	2373	91mm (w) x 2340 mm (h) Door Jamb Pair Left Side	1 Pair	6.69
JR2S	2073	97mm (w) x 2040 mm (h) Door Jamb Pair Right Side	1 Pair	6.03
JL2S	2073	97mm (w) x 2040 mm (h) Door Jamb Pair Left Side	1 Pair	6.03
JR2S	2373	97mm (w) x 2340 mm (h) Door Jamb Pair Right Side	1 Pair	6.90
JL2S	2373	97mm (w) x 2340 mm (h) Door Jamb Pair Left Side	1 Pair	6.90
JR3S	2073	103mm (w) x 2040 mm (h) Door Jamb Pair Right Side	1 Pair	6.20
JL3S	2073	103mm (w) x 2040 mm (h) Door Jamb Pair Left Side	1 Pair	6.20
JR3S	2373	103mm (w) x 2340 mm (h) Door Jamb Pair Right Side	1 Pair	7.10
JL3S	2373	103mm (w) x 2340 mm (h) Door Jamb Pair Left Side	1 Pair	7.10
JR4S	2073	113mm (w) x 2040 mm (h) Door Jamb Pair Right Side	1 Pair	6.50
JL4S	2073	113mm (w) x 2040 mm (h) Door Jamb Pair Left Side	1 Pair	6.50
JR4S	2373	113mm (w) x 2340 mm (h) Door Jamb Pair Right Side	1 Pair	7.44
JL4S	2373	113mm (w) x 2340 mm (h) Door Jamb Pair Left Side	1 Pair	7.44
JR5S	2073	119mm (w) x 2040 mm (h) Door Jamb Pair Right Side	1 Pair	6.68
JL5S	2073	119mm (w) x 2040 mm (h) Door Jamb Pair Left Side	1 Pair	6.68
JR5S	2373	119mm (w) x 2340 mm (h) Door Jamb Pair Right Side	1 Pair	7.65
JL5S	2373	119mm (w) x 2340 mm (h) Door Jamb Pair Left Side	1 Pair	7.65



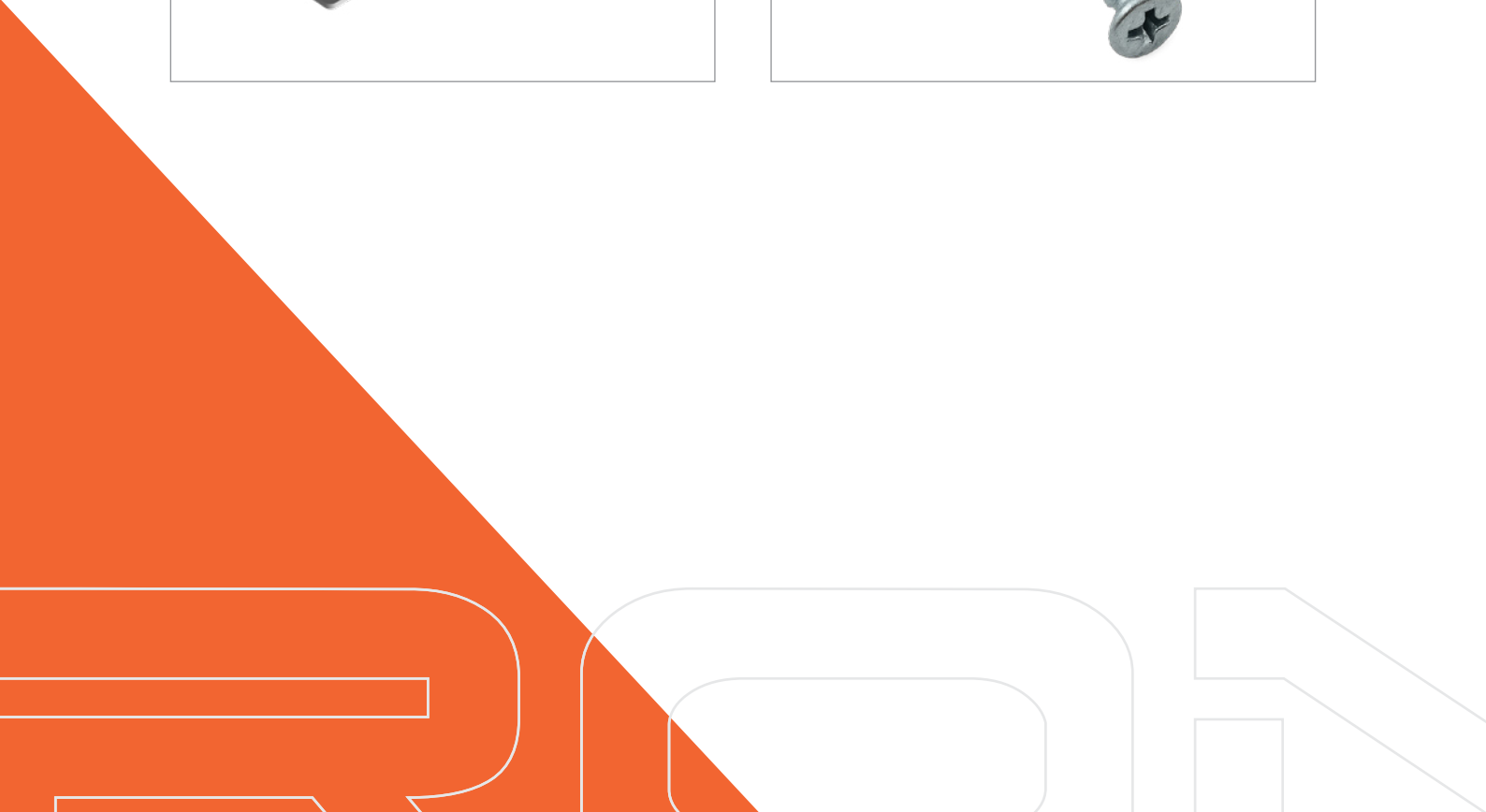
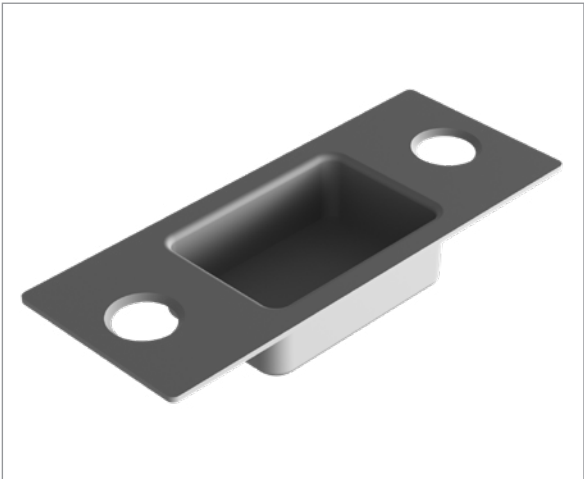
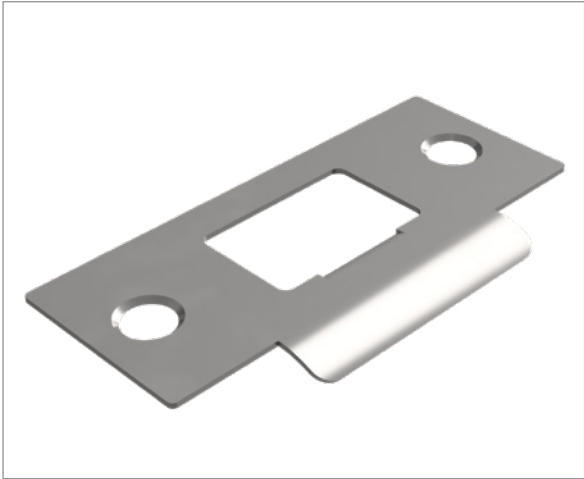
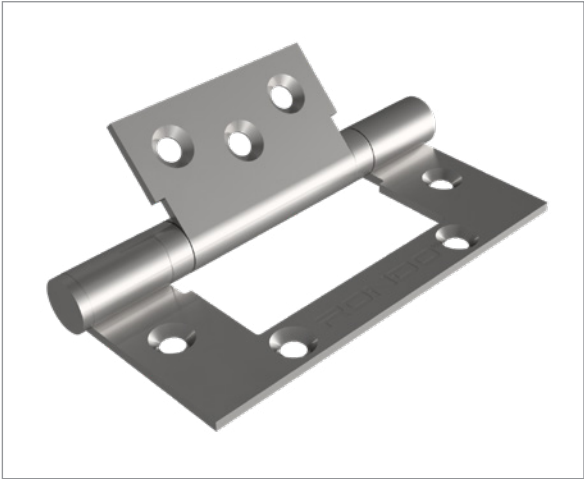
## DOOR HEADERS - SINGLE REBATE

Part No.	Length (mm)	Description	Number of Products	Set Weight (kg)
DH1S	725	91mm (w) x 720 mm (h) Door Header	1 Pair	1.02
DH1S	825	91mm (w) x 820 mm (h) Door Header	1 Pair	1.16
DH1S	875	91mm (w) x 870 mm (h) Door Header	1 Pair	1.23
DH1S	925	91mm (w) x 920 mm (h) Door Header	1 Pair	1.30
DH2S	725	97mm (w) x 720 mm (h) Door Header	1 Pair	1.05
DH2S	825	97mm (w) x 820 mm (h) Door Header	1 Pair	1.20
DH2S	875	97mm (w) x 870 mm (h) Door Header	1 Pair	1.27
DH2S	925	97mm (w) x 920 mm (h) Door Header	1 Pair	1.34
DH3S	725	103mm (w) x 720 mm (h) Door Header	1 Pair	1.09
DH3S	825	103mm (w) x 820 mm (h) Door Header	1 Pair	1.23
DH3S	875	103mm (w) x 870 mm (h) Door Header	1 Pair	1.31
DH3S	925	103mm (w) x 920 mm (h) Door Header	1 Pair	1.38
DH4S	725	113mm (w) x 720 mm (h) Door Header	1 Pair	1.14
DH4S	825	113mm (w) x 820 mm (h) Door Header	1 Pair	1.29
DH4S	875	113mm (w) x 870 mm (h) Door Header	1 Pair	1.37
DH4S	925	113mm (w) x 920 mm (h) Door Header	1 Pair	1.45
DH5S	725	119mm (w) x 720 mm (h) Door Header	1 Pair	1.17
DH5S	825	119mm (w) x 820 mm (h) Door Header	1 Pair	1.33
DH5S	875	119mm (w) x 870 mm (h) Door Header	1 Pair	1.41
DH5S	925	119mm (w) x 920 mm (h) Door Header	1 Pair	1.49

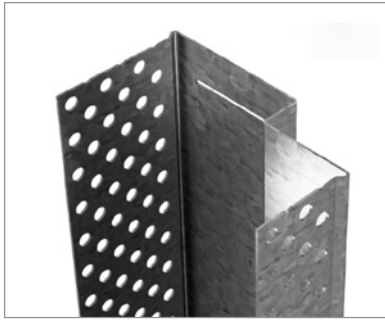


# DOOR HINGES

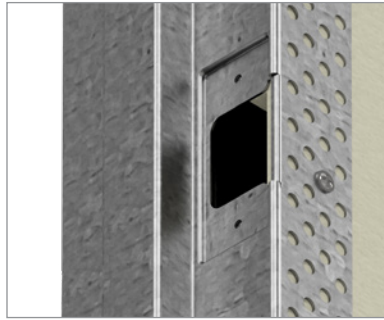
Part No.	Description
DS01	70 mm (w) x 100 mm (h) Herline Hinge



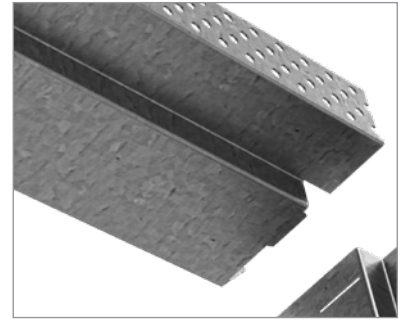
## INDIVIDUAL COMPONENTS



**Hinge Side Jamb**



**Striker Side Jamb**



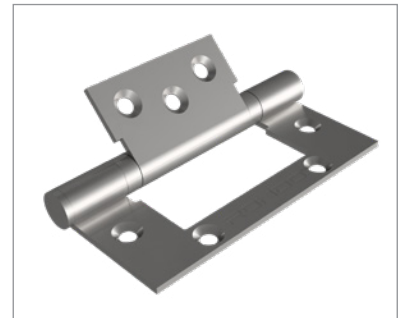
**Header**



**Striker Plate**



**Striker Box**



**Herline Hinge**

## DURABILITY BACKED BY TESTING

Our door jambs have undergone rigorous internal door slam testing in accordance with Annex F of BS 5234-2:1992 – ‘Determination of the Effects of Door Slamming’.

We’re proud to report that the product successfully met the performance requirements for both Light and Medium duty classifications.



A photograph of two men in a professional setting. One man, wearing a dark blue sweater over a checkered shirt, is seated at a desk and looking down at a document. The other man, wearing a white shirt and glasses, is standing and leaning over the desk, pointing at the document. The background is slightly blurred, showing a modern office environment. An orange diagonal shape is overlaid on the top left corner of the image.

# RONDO DESIGN SERVICES

For an efficient and compliant design for your next project, engage our Rondo Design Engineers to provide the very best product and customised design solutions.

To submit a technical enquiry form, [click HERE](#).

**RONDO**<sup>®</sup>

[www.rondo.com.au](http://www.rondo.com.au)